

## UAL Foundation Part 3

### Small Space Living



### Triple Table

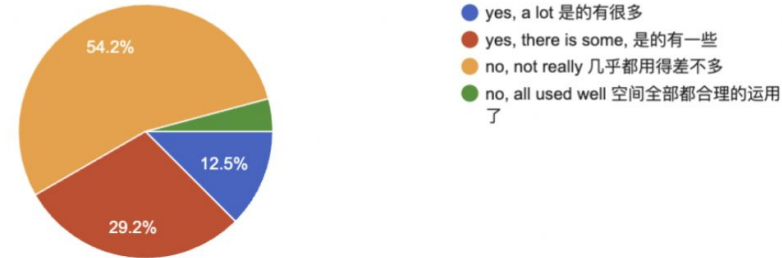
This product is a combination of a bed table, bedside table, and a coffee table, aim to create **more temporary space** in the small room



do you think there is space haven't used in your room? 你是否感觉还有空间在你的房间中没有被合理的运用?

[Copy chart](#)

24 responses



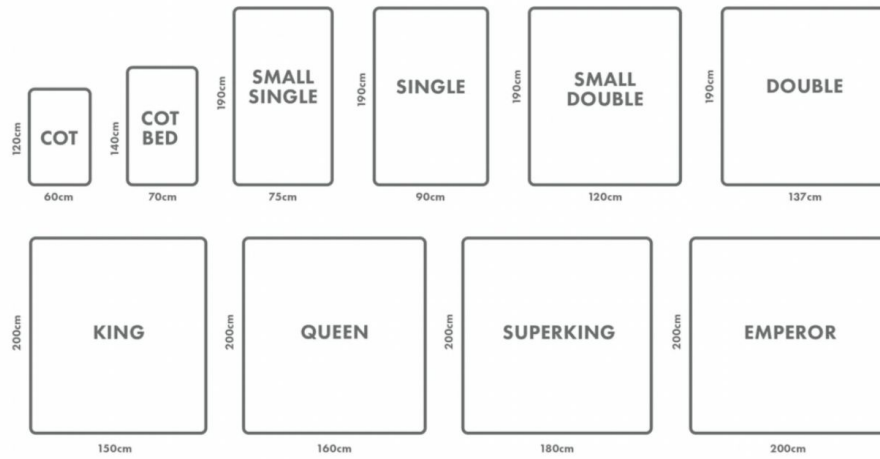
There is still amount of people haven't used up all the space in their room, it could be a chance for me to design something that is able to use up the spaces.



Personal thought about Bobby trolley

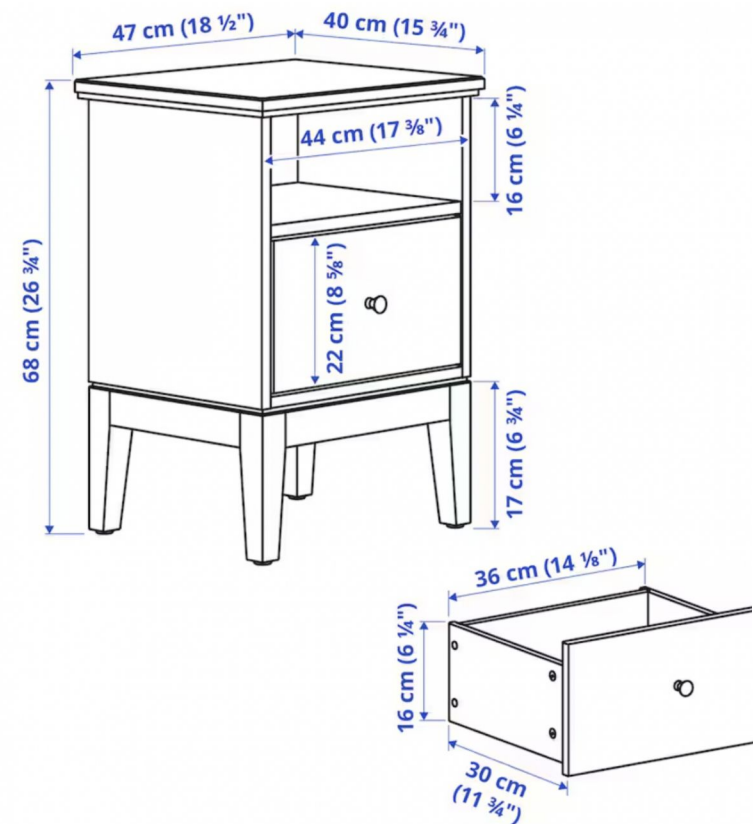
I think this design is a really good inspiration, because I am trying to make a bedside table, and this design is really similar which what I am trying to do. the use of the color, and the way of placing the drawers are really good to learn.

Secondary research: average size of beds



This is the size of different beds, and because I want my product, which is the bed table to be more reflexible and suitable for a wider range, so I will choose the smallest bed for size reference. which is the small single bed.

Secondary research: average size of bed side tables

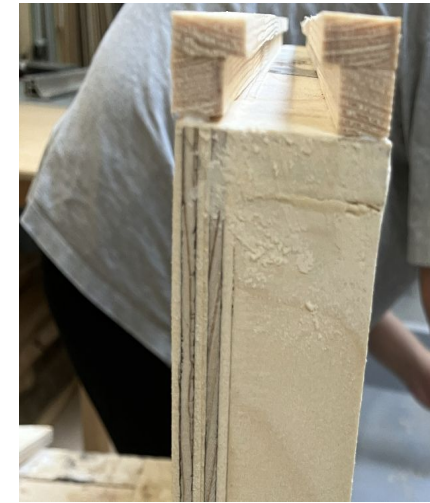
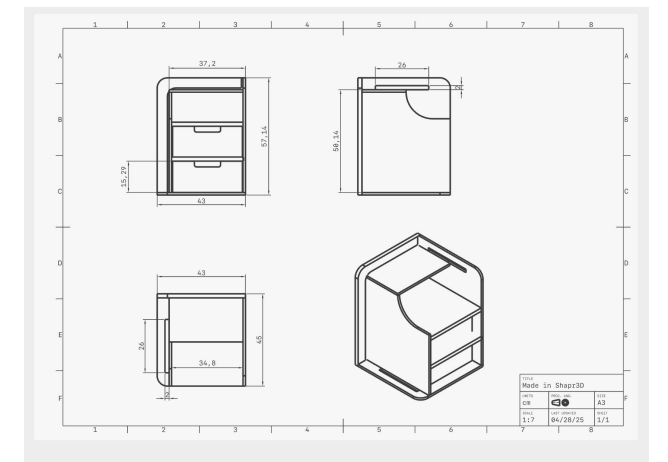
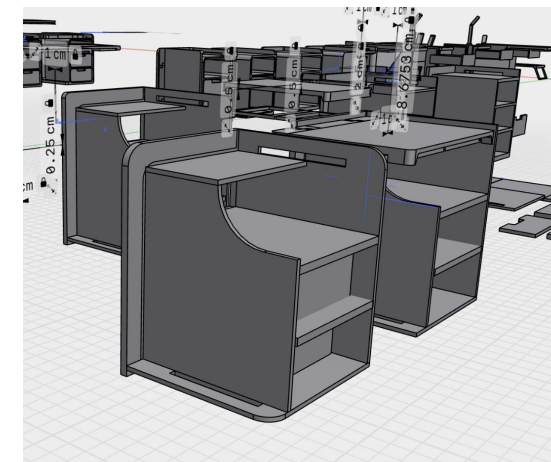
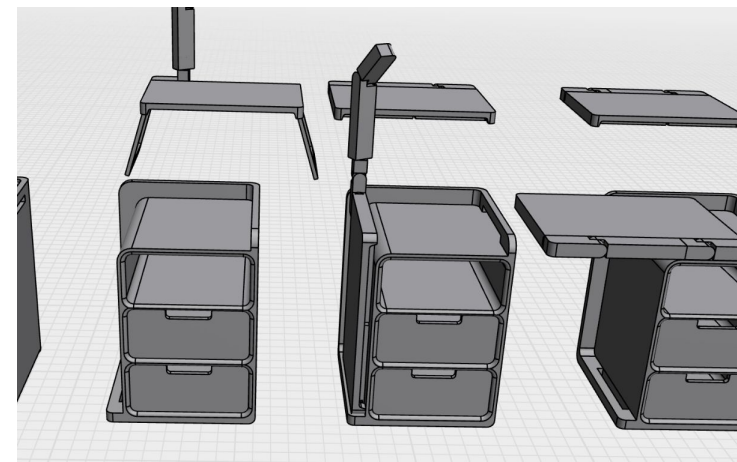
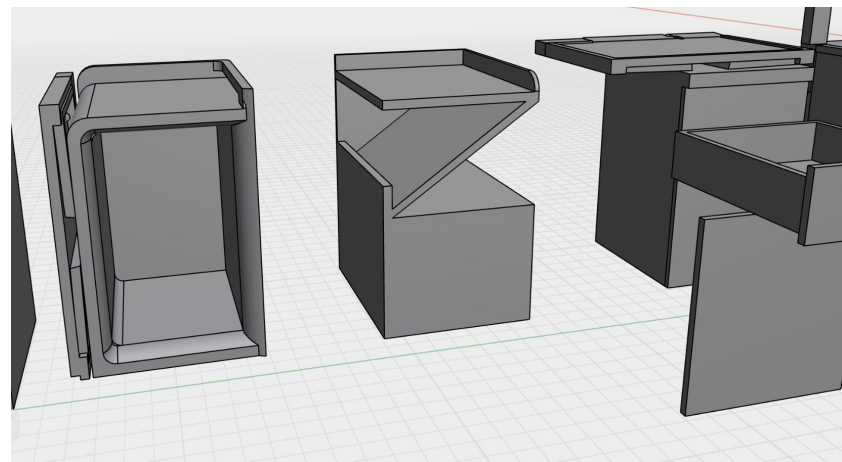
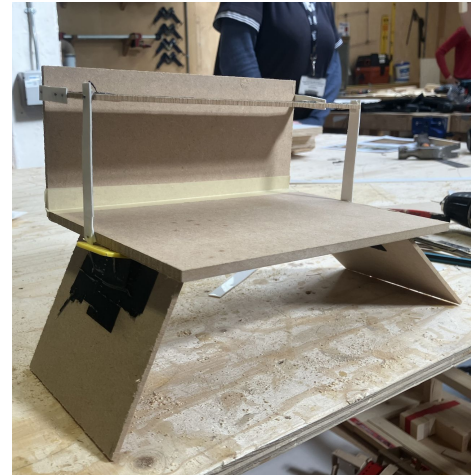
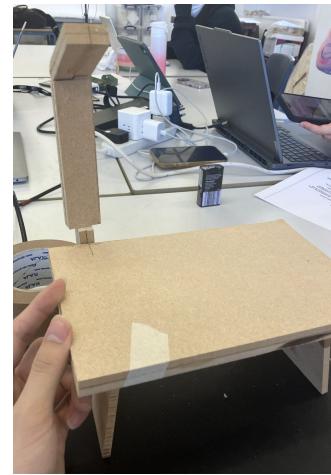
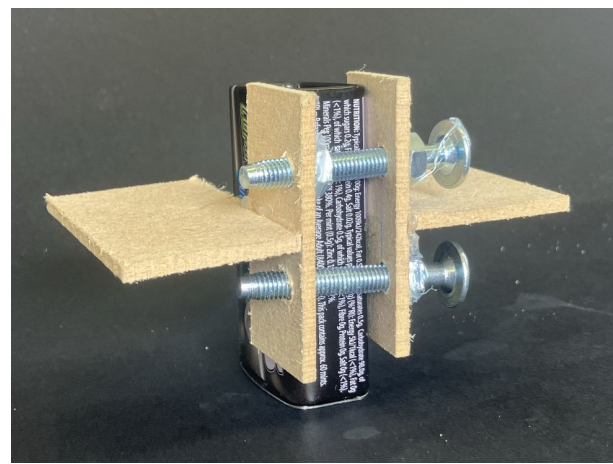


Weight & measurements

Length: 56 cm  
Width: 36 cm  
Height: 26 cm







### Process making

I start with a shelf, and I realise that making extra area for people is not going to solve the problem, then I start to thinking making on bed table as a temporary space, but there is a lot of similar product on the market, so I decided to combine bedside table and on bed table together. I try different size of my product, and adjusted a suitable and comfortable on bed table that is able to attach to the bedside table.



### Final model

The Triple table can be turn into three different states, they are coffee table, on bed table, and a bedside tale. The design is facing the people who lives in a single room, the coffee table allow the user place snacks and drink while there is more than one person in the room, the lamp on the on bed table solve the problem of not enough light on the bed.

Jimmy Zhang Hanzhong  
Final model in context

